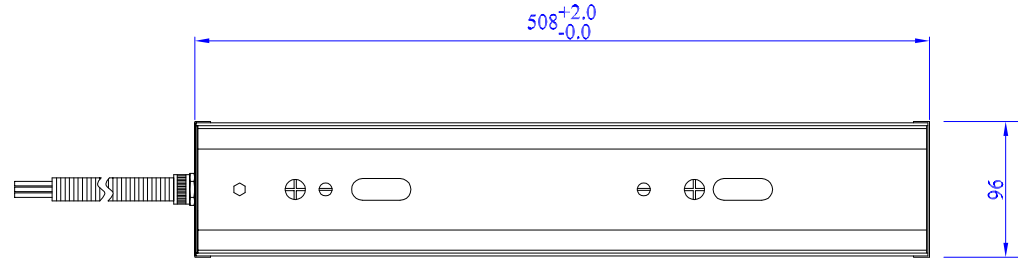
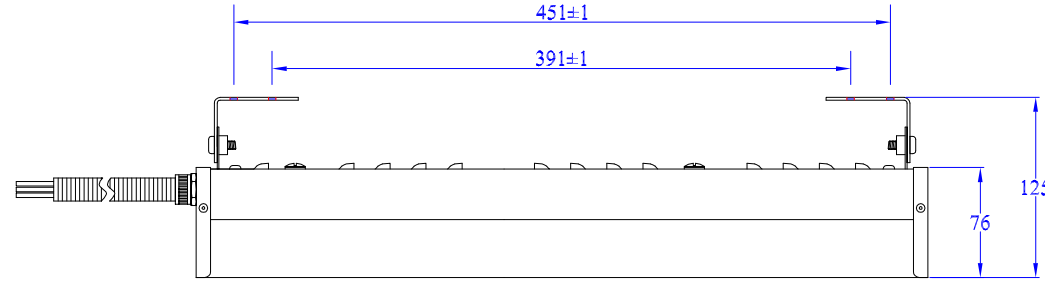


QC Document/WI25

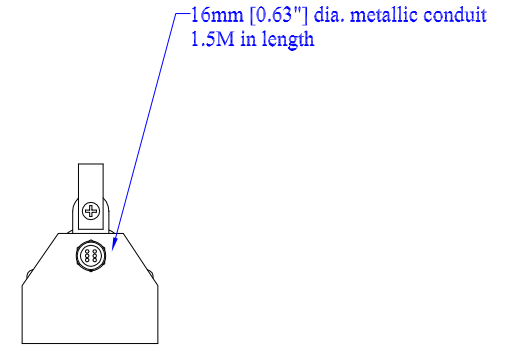
RevNo	Revision note	Date	Signature	Checked
1	Overall length altered	15/07/03	E.W.	
2	Dimensions altered	23/02/11	J.W.	



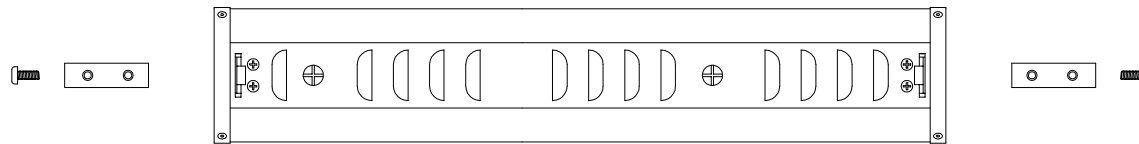
FRONT VIEW



SIDE VIEW WITH MOUNTING BRACKETS ASSEMBLED




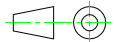
END VIEW - CONDUIT EXIT SIDE



REAR VIEW WITH MOUNTING BRACKETS DISASSEMBLED

* All measurements in mm [inches]

* Reflector material: 0.75mm [0.03"] polished aluminised steel

Ref -	Qty -	Boxless PAS 2 designed for ceramic infrared emitter			Part no. ----	
Drawn by E.W.	Checked by D.W.	Tolerance +/- 1.0mm	Filename PAS2ceramic	Date 05/02/03	Scale Not to scale	
			Title Boxless PAS 2 - Ceramic			
			Drawing no. 111200A		Edition 1	Sheet 1